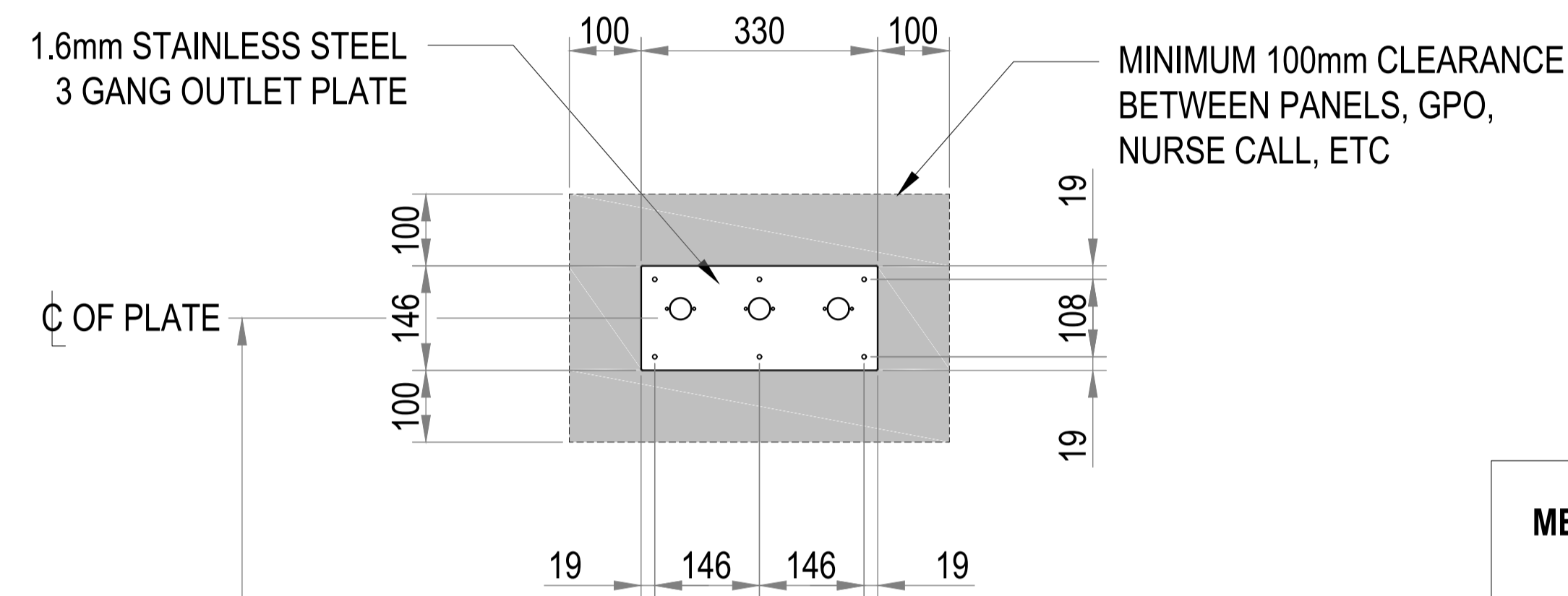


CEILING LEVEL



**MEDICAL GAS OUTLET PANEL  
3 GANG**

**MEDICAL GAS OUTLET PANEL:**

- PANEL SIZE VARIES DEPENDING ON NUMBER OF OUTLETS
- CONFIGURATION OF OUTLETS NEEDS TO BE ADVISED

**WHEN OUTLET PANEL IN CUPBOARD, THE FOLLOWING IS REQUIRED:**

- MINIMUM 200MM CLEARANCE ABOVE
- MINIMUM 300MM CLEARANCE BELOW
- NEED TO ALLOW FOR CATCH POT TO BE OUTSIDE THE CUPBOARD

FLOOR LEVEL

FRONT VIEW

**FOR APPROVAL**

Issue	Description	Date	Checked
B	NOTE ADDED	29-02-16	SGI
A	FOR APPROVAL	17-02-16	SGI
Project		Design	File
SGI STANDARD FITTINGS		SGI	MGOP-3G.DWG
Title		Drawn	Date
MEDICAL GAS OUTLET PANEL 3 GANG		DGL	17/02/2016
Drawing Number		Ch'ked	Scale
MGOP-3G		SGI	1:15
Issue		B	



SPECIAL GASES ENTERPRISES PTY. LTD.  
A.C.N. 076 823 106  
Factory 12, 69 Mark Street  
North Melbourne 3051  
Phone 03 9326 7455

*Property of Special Gases Enterprises Pty Ltd*