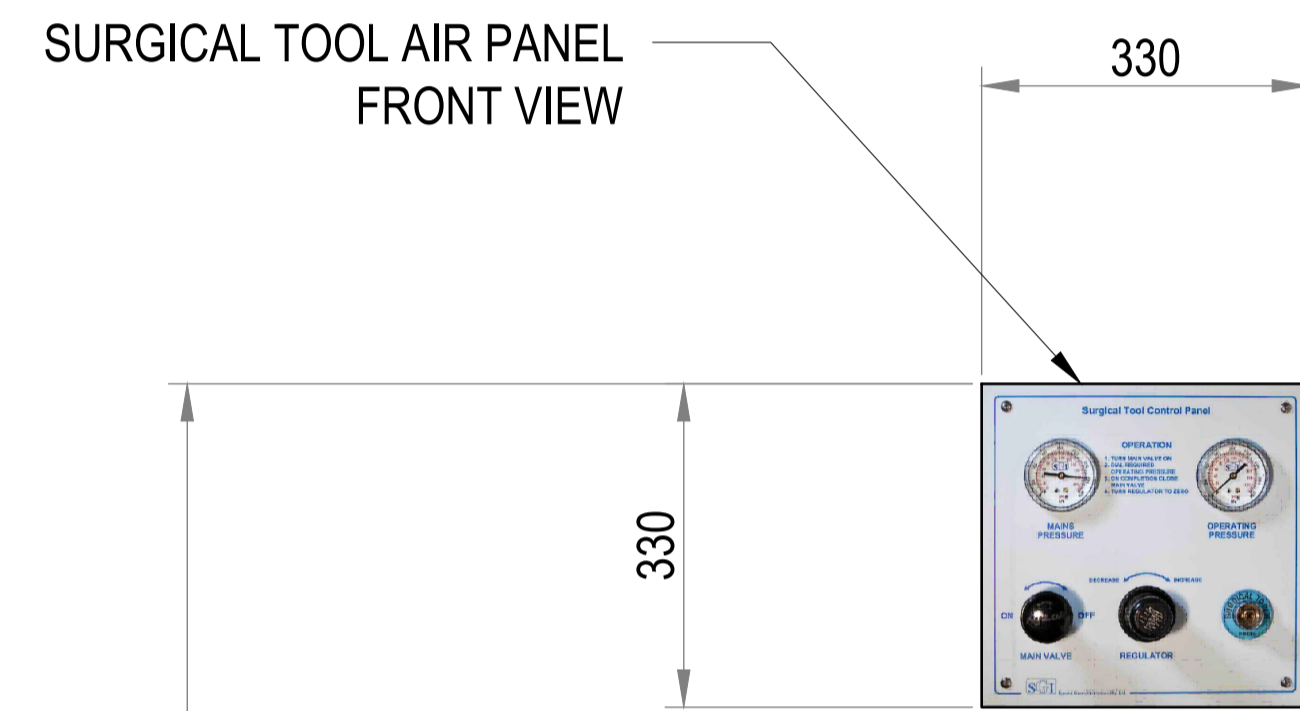
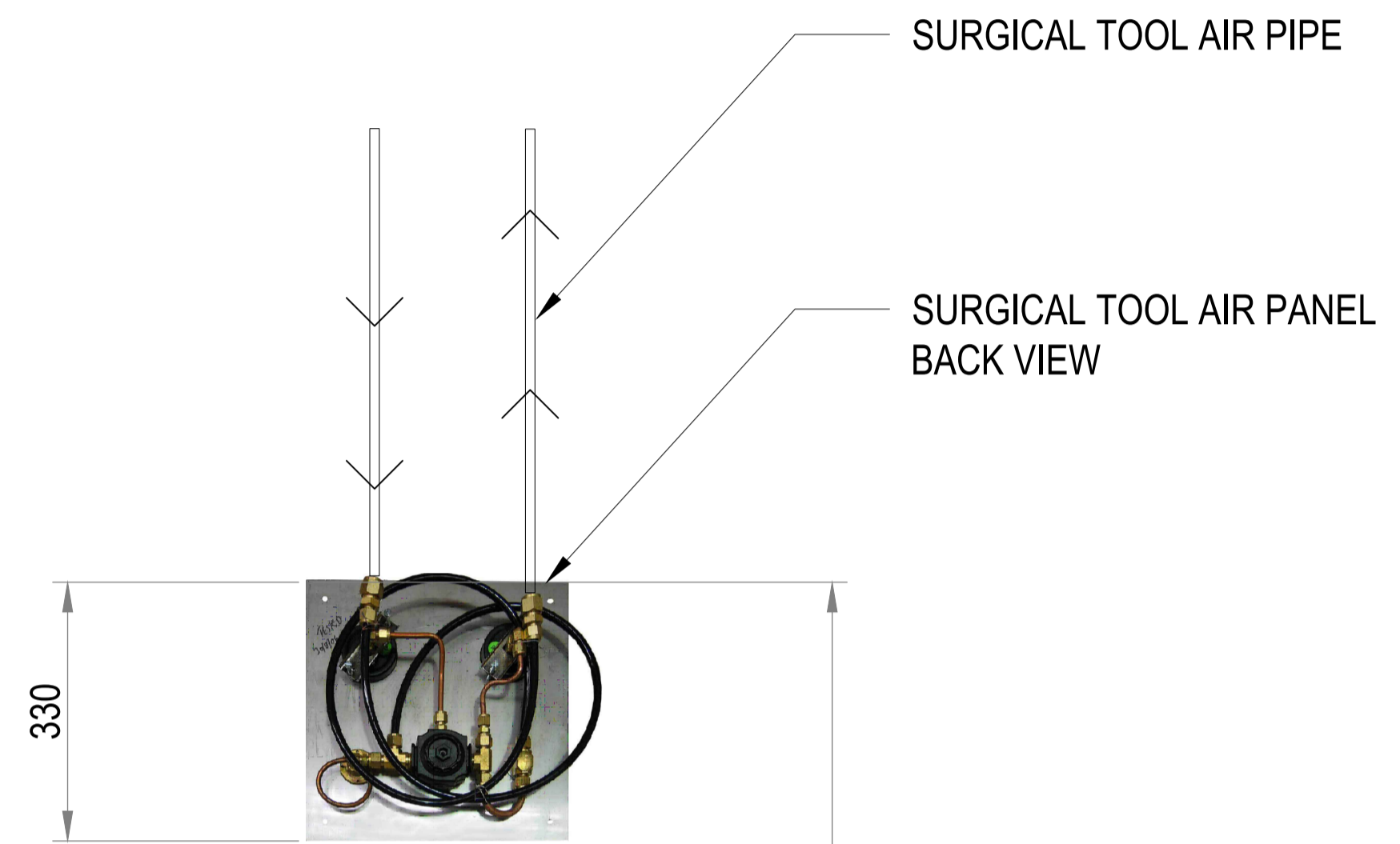
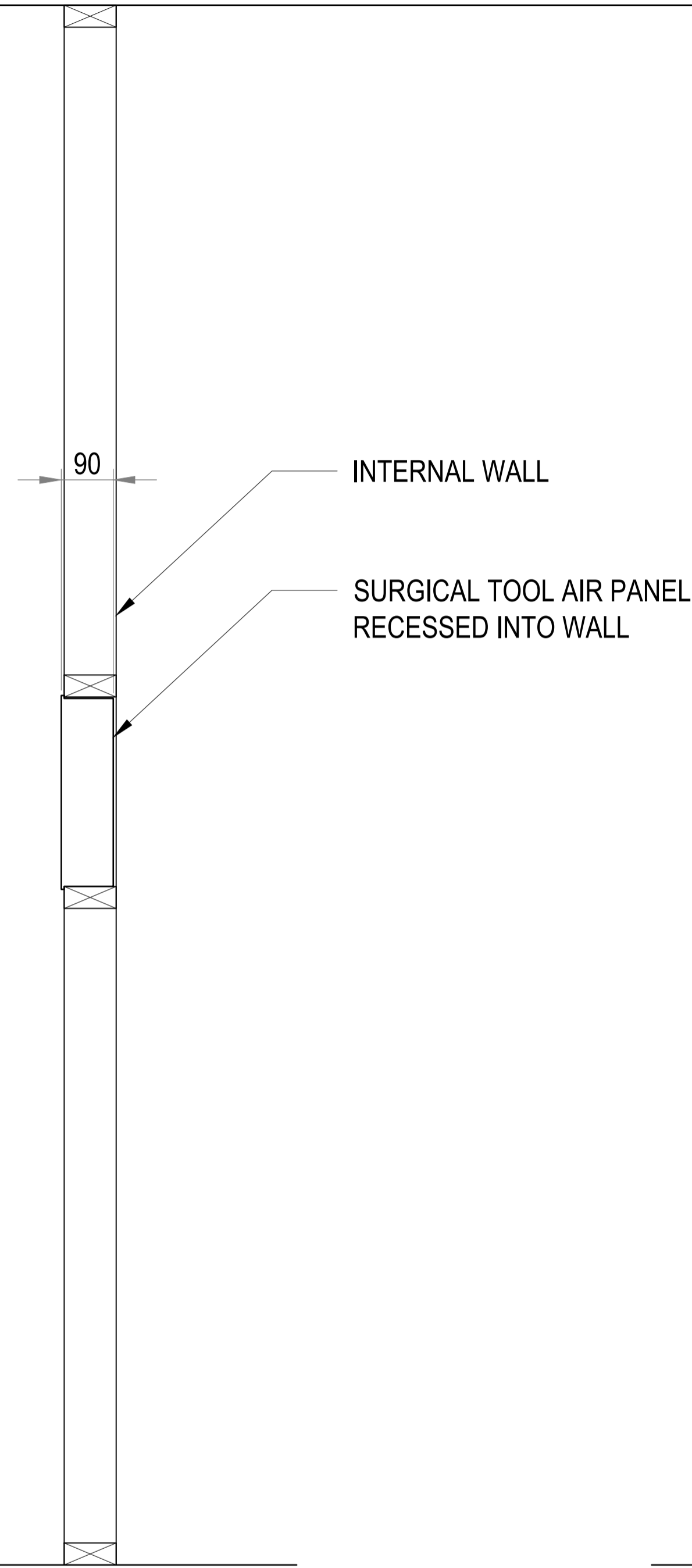


CEILING LEVEL



**SURGICAL TOOL AIR PANEL**



FLOOR LEVEL

FRONT VIEW

SECTION

BACK VIEW

**FOR APPROVAL**

*Property of Special Gases Enterprises Pty Ltd*



SPECIAL GASES ENTERPRISES PTY. LTD.  
A.C.N. 076 823 106  
Factory 12, 69 Mark Street  
North Melbourne 3051  
Phone 03 9326 7455

Issue	Description	Date	Checked
B	WALL SECTION ADDED	28-02-16	SGI
A	FOR APPROVAL	22-02-16	SGI

Project	Design	File
SGI STANDARD FITTINGS	SGI	STA-01.DWG
	Drawn	Date
	DGL	22/02/2016
Title	Ch'ked	Scale
SURGICAL TOOL AIR PANEL	SGI	1:15
	Drawing Number	Issue
	STA-01	B